

ATTACHMENT B: PROJECT TYPICALS

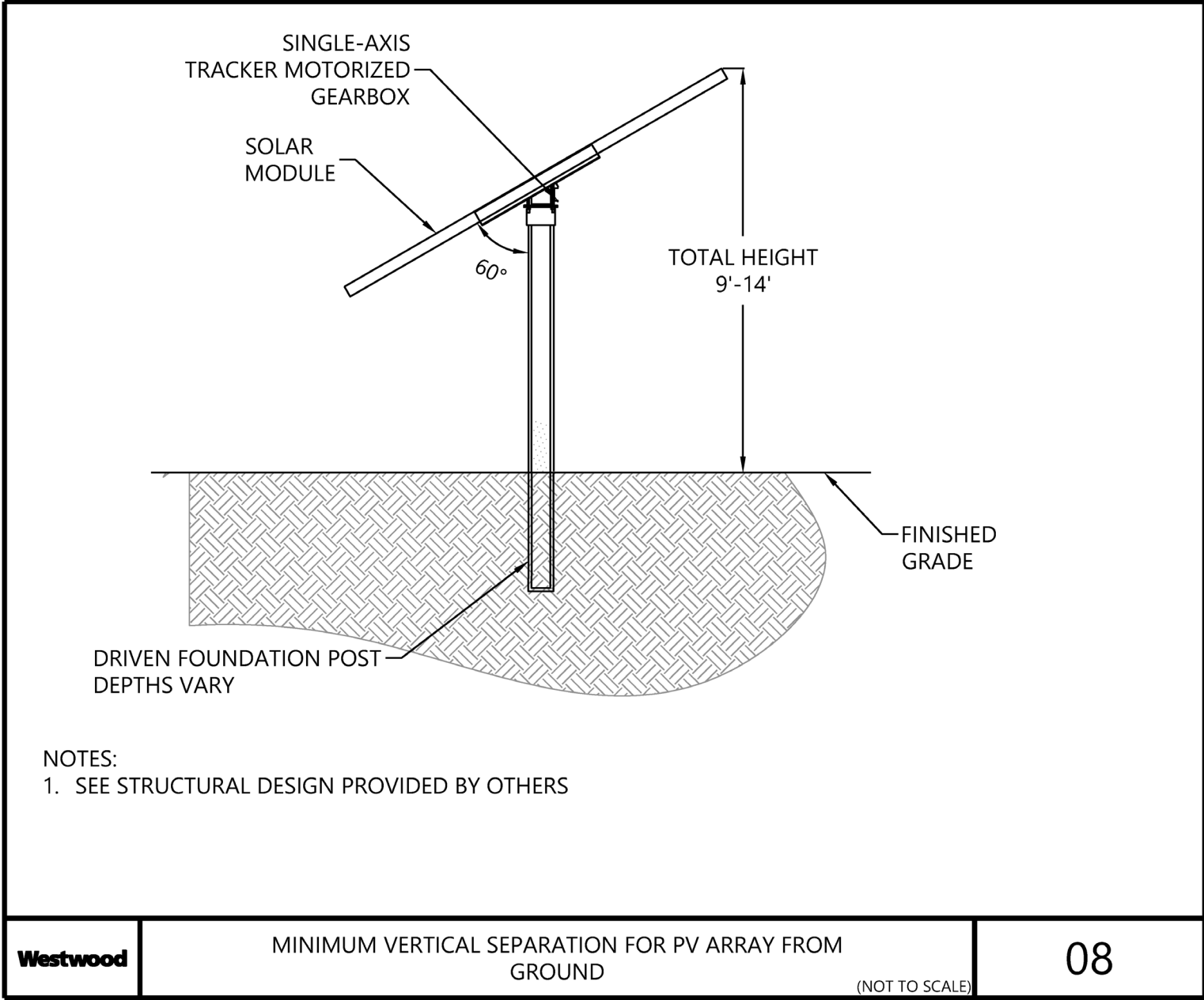


Figure B-1. PV Panel and Racking System

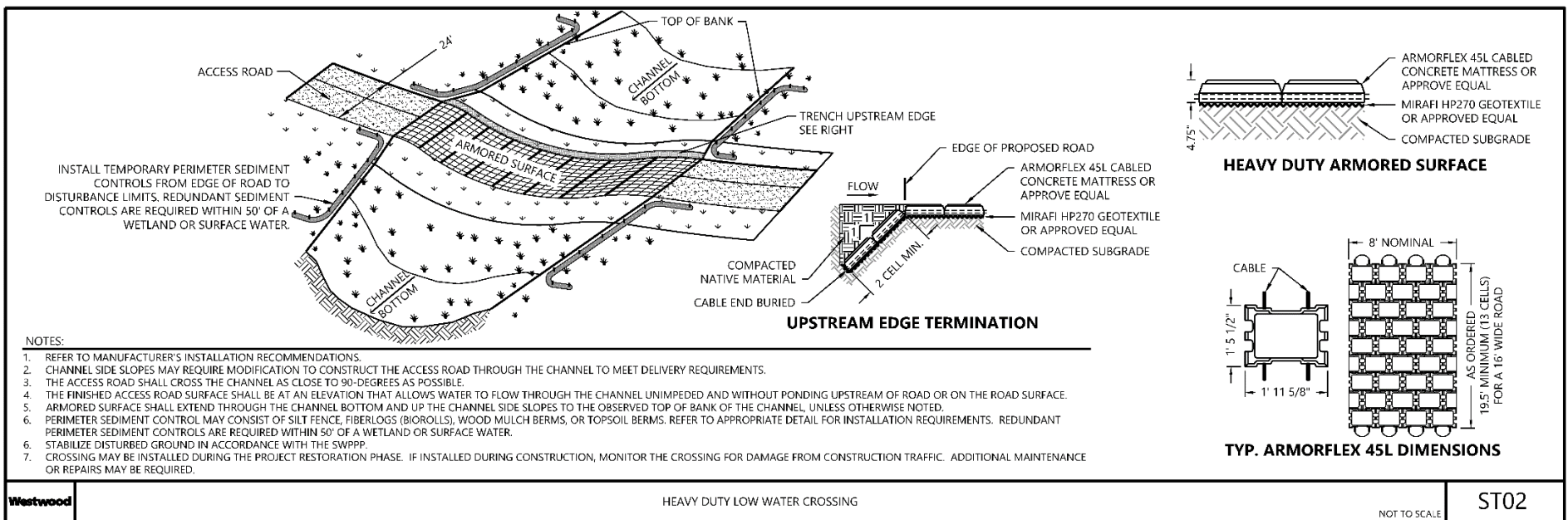
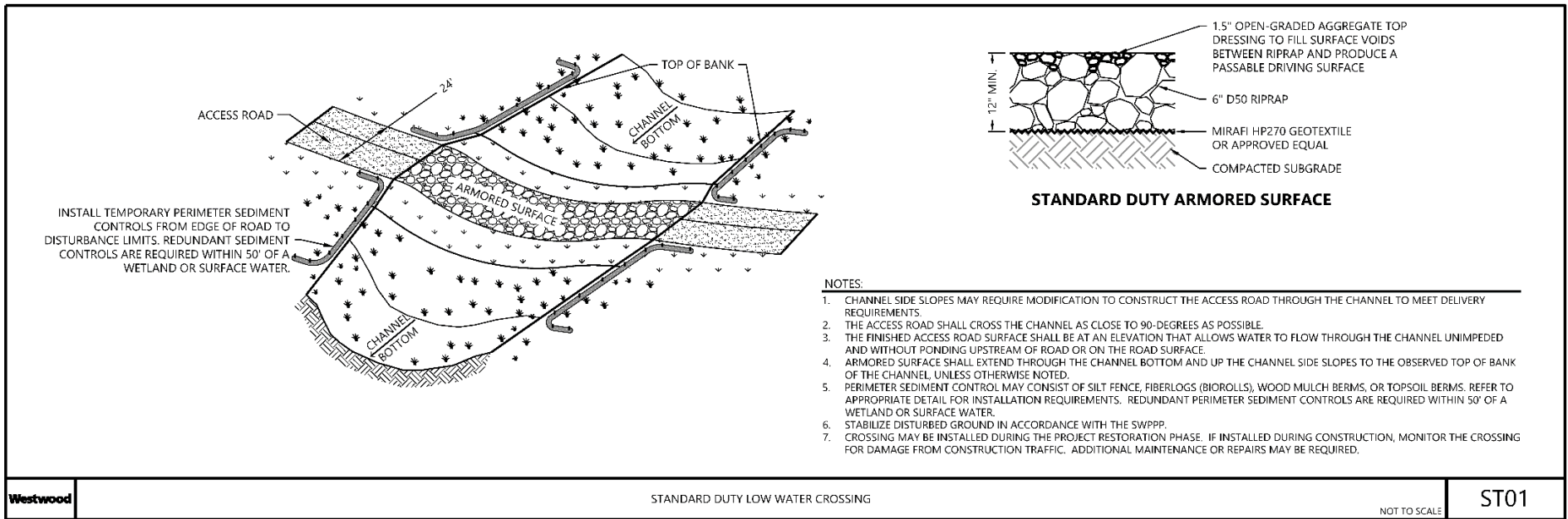


Figure B-2. Access Road

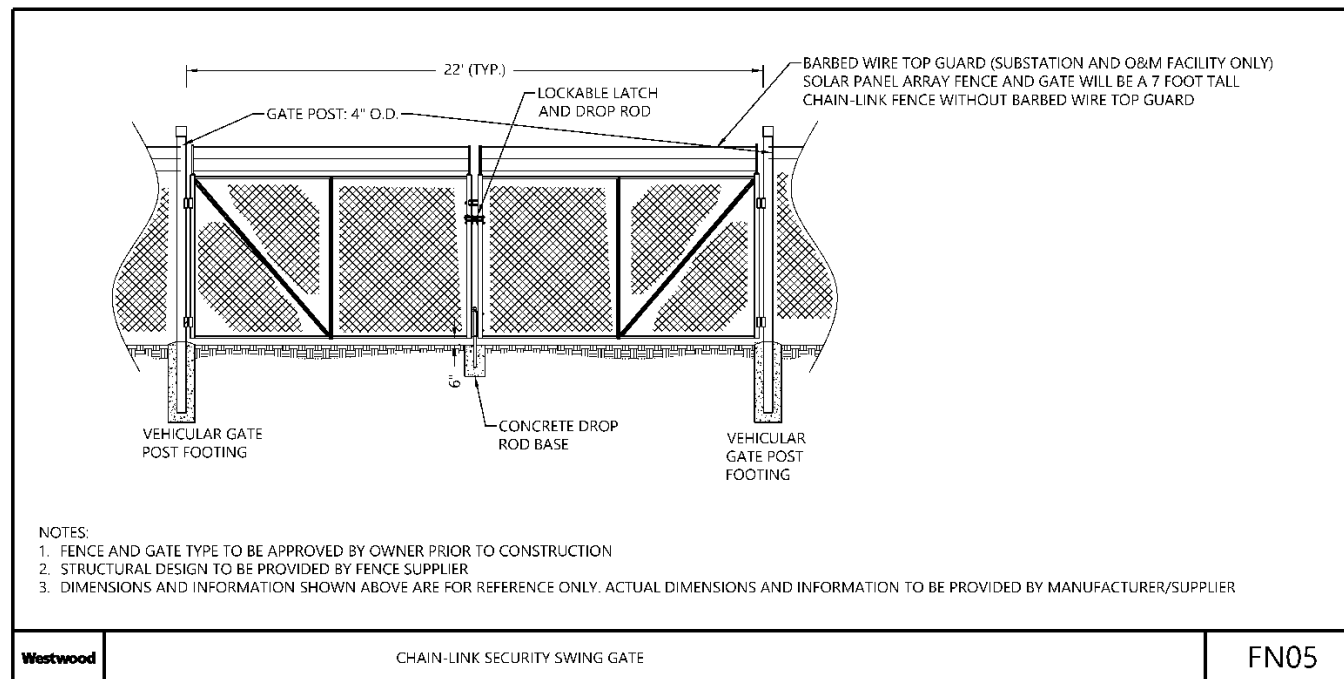
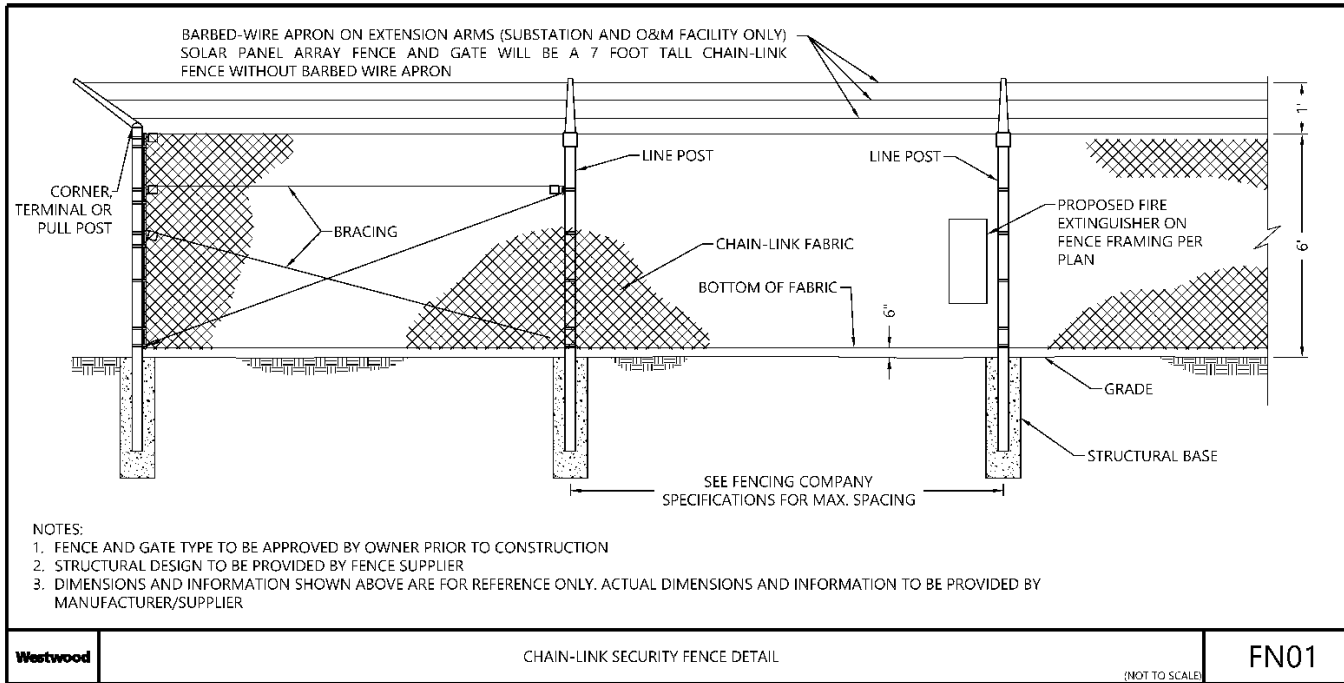


Figure B-3. Fence